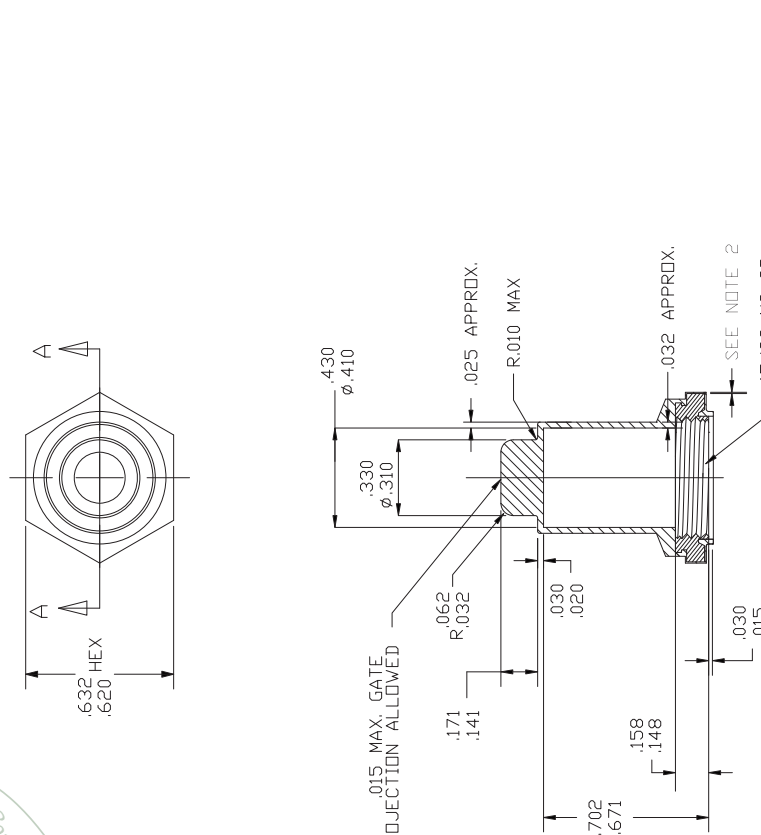


1 2 3 4

ZONE	REV.	REVISION DESCRIPTION	ECN NO.	DATE
	K	RE-DOC IN DWGEDITOR NOTE 1 WAS "CERTIFICATE OF TEST REPORT REQUIRED FOR THREAD INSPECTION TEST RESULTS" DELETE NOTE 2 (SAMPLE OF NUT TO ACCOMPANY...),RENUMBER NOTE 3; PD	ECN0051987	02-JUN-2009

NOTE:
 1. CERTIFICATE OF CONFORMANCE REQUIRED.
 2. SILICONE OVERMOLD ALLOWABLE, HEX DIMENSION MUST BE MAINTAINED.



14500-1	FOR REFERENCE ONLY, CHECK LATEST REVISION BEFORE USE PARTS MADE TO THIS PRINT MUST CONFORM TO E9898 REV. E SENSATA TECHNOLOGIES PROPRIETARY AND CONFIDENTIAL. NEITHER THIS PRINT NOR THE INFORMATION CONTAINED HEREON IS TO BE USED OR AGAINST THE INTERESTS OF ANY OF ITS AFFILIATED COMPANIES OR INDIVIDUALS. UNLESS OTHERWISE SPECIFIED DIMENSIONS ARE IN INCHES TOLERANCES ANGLES DECIMALS
PART NO.	MATERIAL
	BOOT: SILICONE RUB-R-GLASS, PER SPEC ZZR-765 CLASS III, DUROMETER 50-60 MOUNTING NUT: BRASS PER SPEC OO8626, COMP 22, NICKEL PLATE PER SPEC OON290 CLASS II

DRAWN P.B. DATE 11-FEB-1971 ENGINEER DEISNDR DATE 11-FEB-1971 APPROVED	DO NOT SCALE DRAWING THIRD ANGLE PROJECTION PROJECT:
DATE APPROVED DATE	DEVICE:
TITLE PUSHBUTTON BOOT	
SIZE B	DWG NO. 14500-1
SCALE NA	AUTOCAD SHEET 1 OF 1

1 2 3 4



SECTION A-A

1 2 3 4